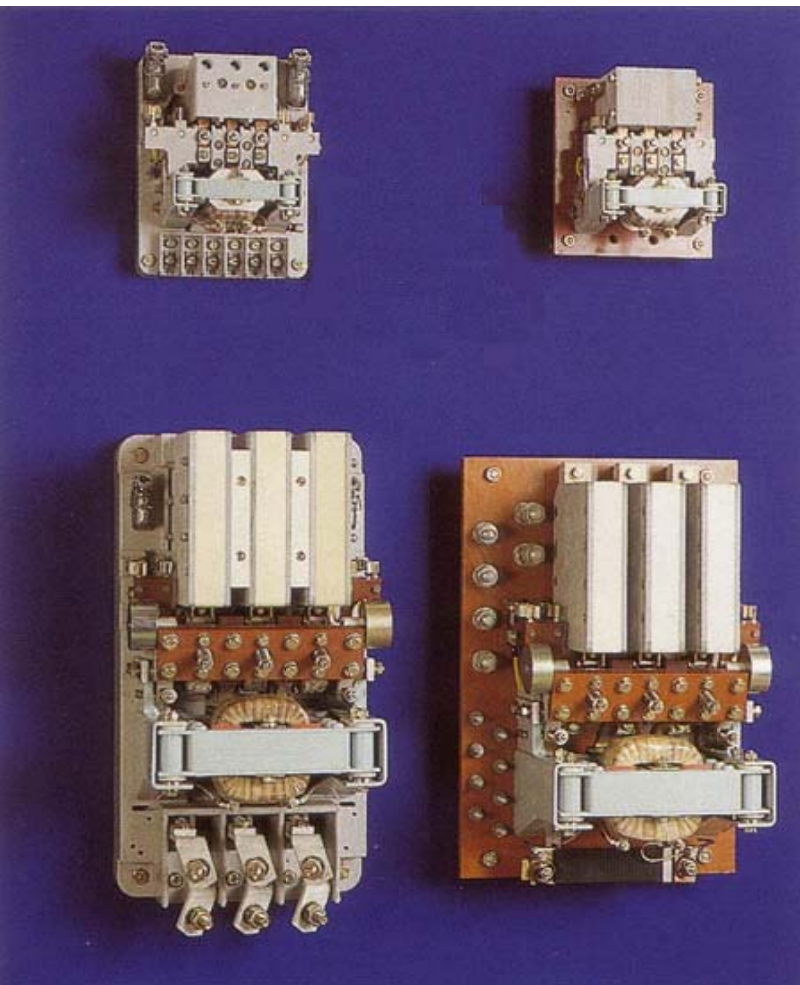


MCA CONTACTORS



Developed to provide the ultimate in shock resistance for critical plant on naval warships and submarines, the MCA range of contactors have a solid mounted shock rating of up to 70g

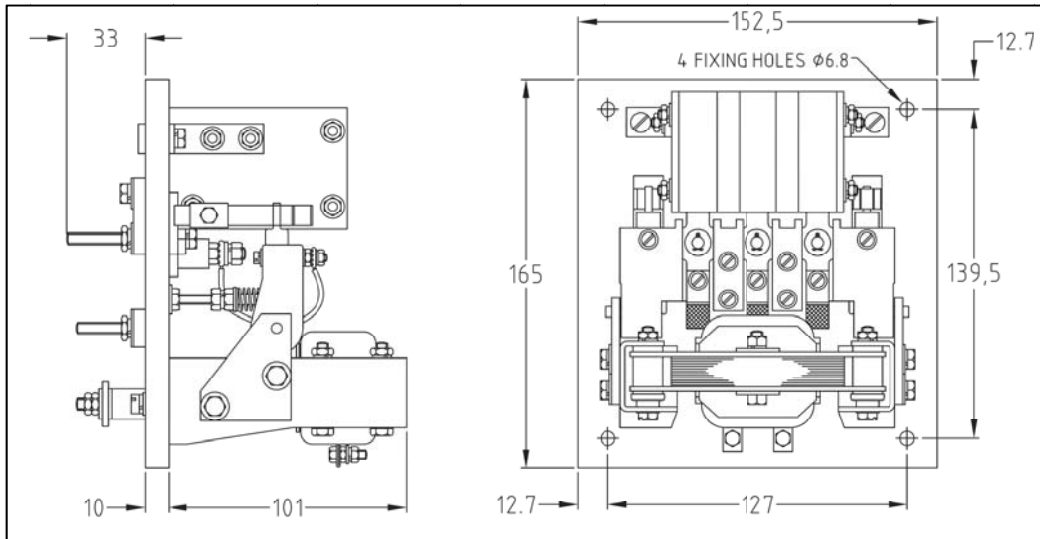
The contactors are available with standard 440V or 115V 60Hz Coils and are provided with up to four auxiliary contacts (2 on MCA2). The range is also available as mechanically interlocked pairs. Other coil voltages are available on request.

For Ordering Codes and NATO Stock Numbers please contact the Watford Sales Office.

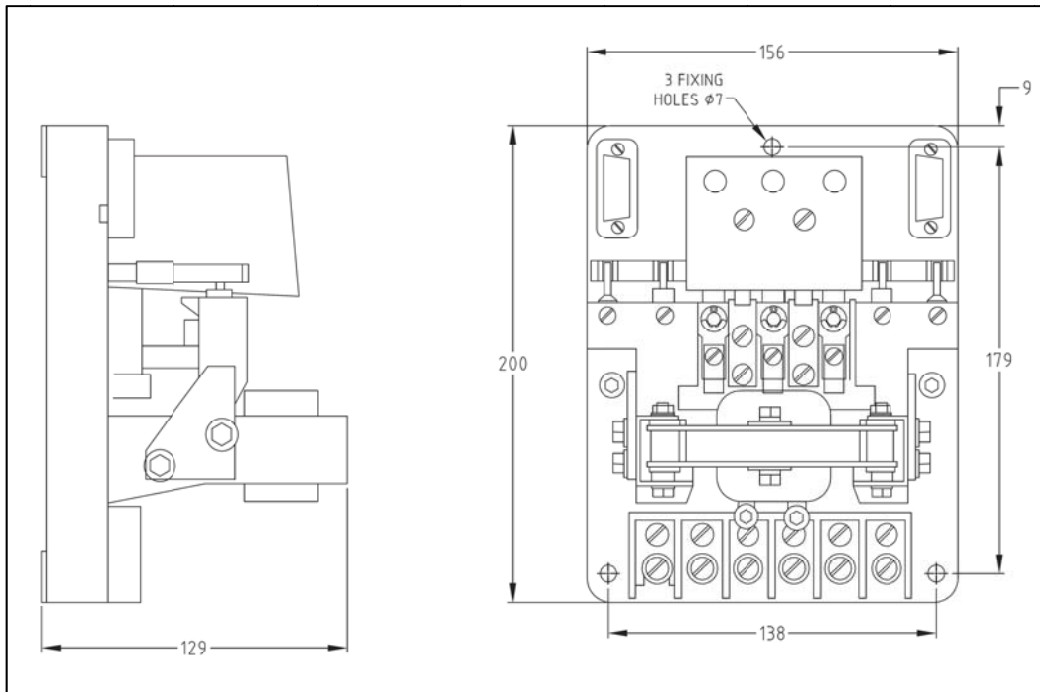
Technical Information

TYPE	MCA2	MCA3	MCA5	MCA13	MCA20	MCA25
Connection	Back	Front	Front or Rear	Back	Back	Front
Thermal Rating I_{TH} (A)	15	25	50	125	200	250
DOL Motor Starting (kW)(@ 440V 60Hz)	9	13.4	30	75	119	150
Making / Breaking Capacity (A)(@ 0.3 pf)	120	300	600	1500	2400	2400
Operating Coil Consumption- Pull In (VA)	220	220	450	1450	1450	1450
Operating Coil Consumption- Hold (VA)	80	80	65	220	220	220
Average Operating Time- Pick Up (ms)	21	22	40	50	50	70
Average Operating Time- Drop Off (ms)	12	10	24	23	23	25
Min. Operating Voltage- Pull In (% Coil Volts)	73	73	75	75	75	76
Min. Operating Volts- Drop Off (% Coil Volts)	46	46	48	49	49	48
Shock Rating (g)- Upwards Blow	70	70	70	70	70	70
Shock Rating (g) - Downward Blow	50	50	50	50	50	50
Shock Rating (g) - Horizontal Blow	30	30	30	30	30	30
Max Auxiliary Contacts	2	4	4	4	4	4
Auxiliary Contacts Rating I_{TH} (A)(@ 440V 60Hz)	5	5	5	5	5	5
Contactors Weight (Kg)	3	3.35	6	15.5	16	19.5
Ambient Operating Temp (°C) (@ 100% Relative Humidity)	50°C Max. Continuous 85°C Max. for 72 Hours in 2000 Hours					

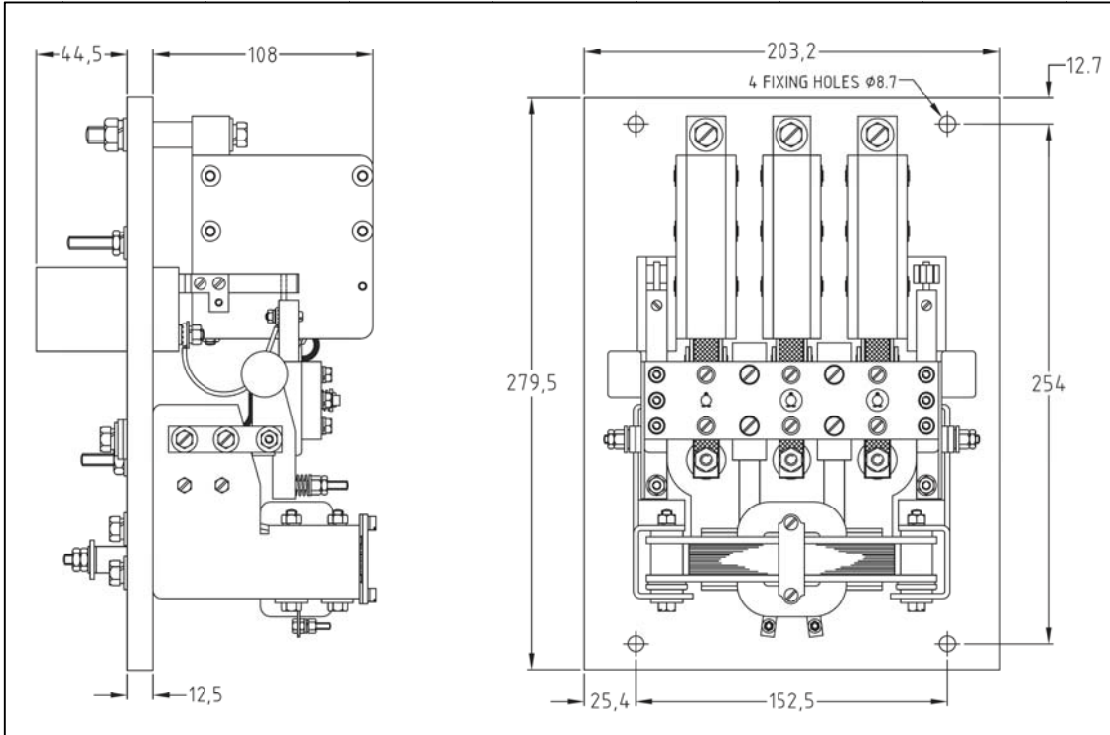
Dimensions



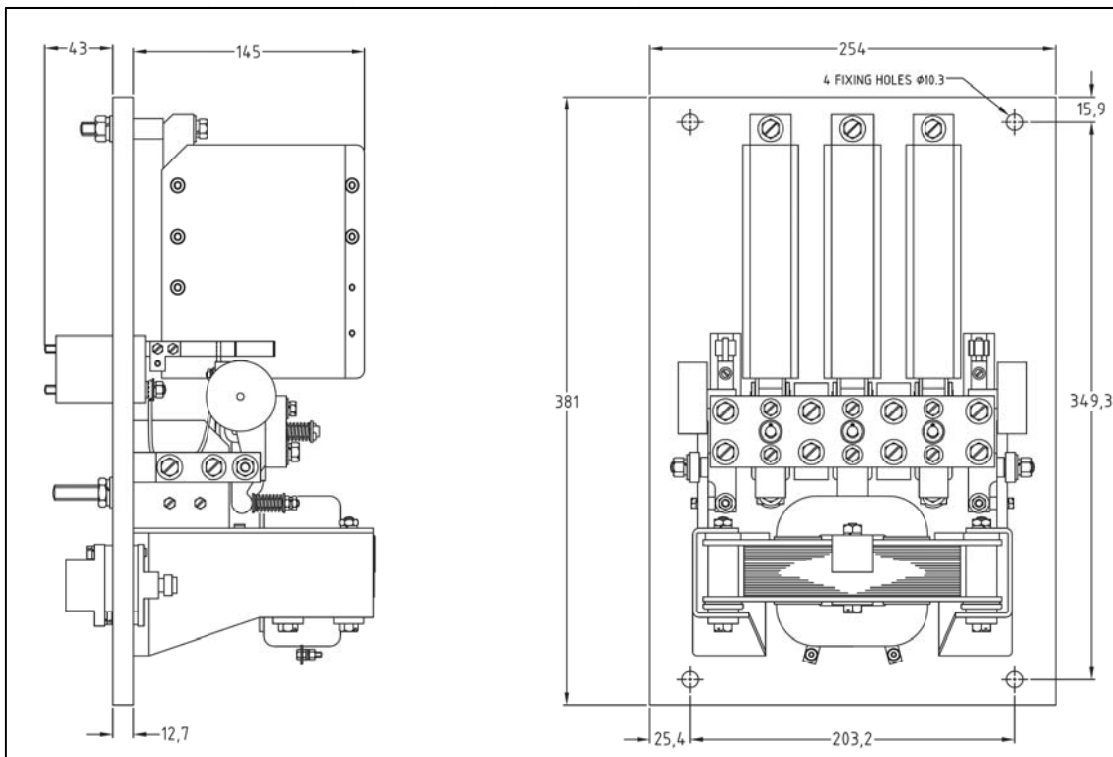
MCA 2



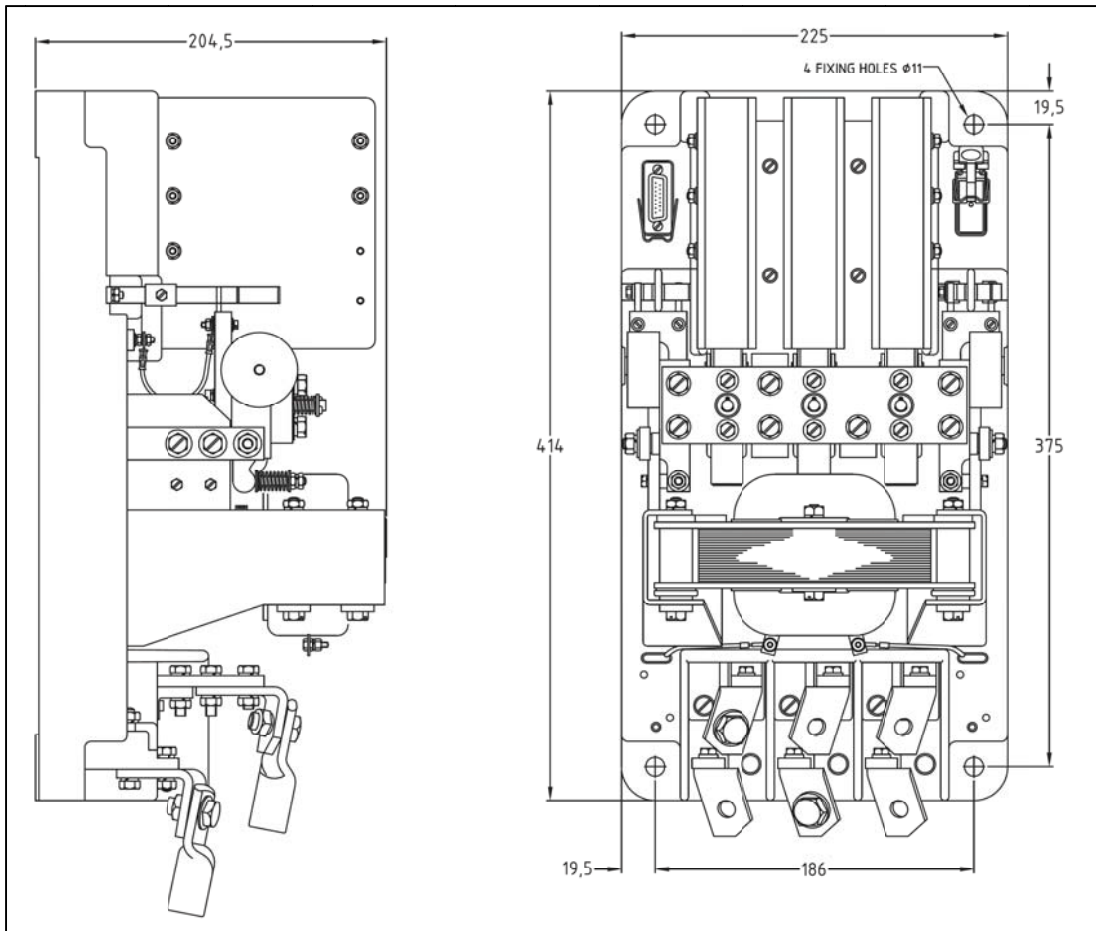
MCA3



MCA 5



MCA 13 / MCA20



MCA 25

Established Reputation | High Performance Solutions | Unrivalled Capability | Commitment to Quality

Whippendell Marine

T: 01923 228201
 : . \$% \$, 3+3*%
 E: sales@whippendell.co.uk
 www.whippendell-marine.co.uk

Whippendell Marine Ltd
 3 Bradbourne Drive
 H'brookZA i'ron ?enmeg
