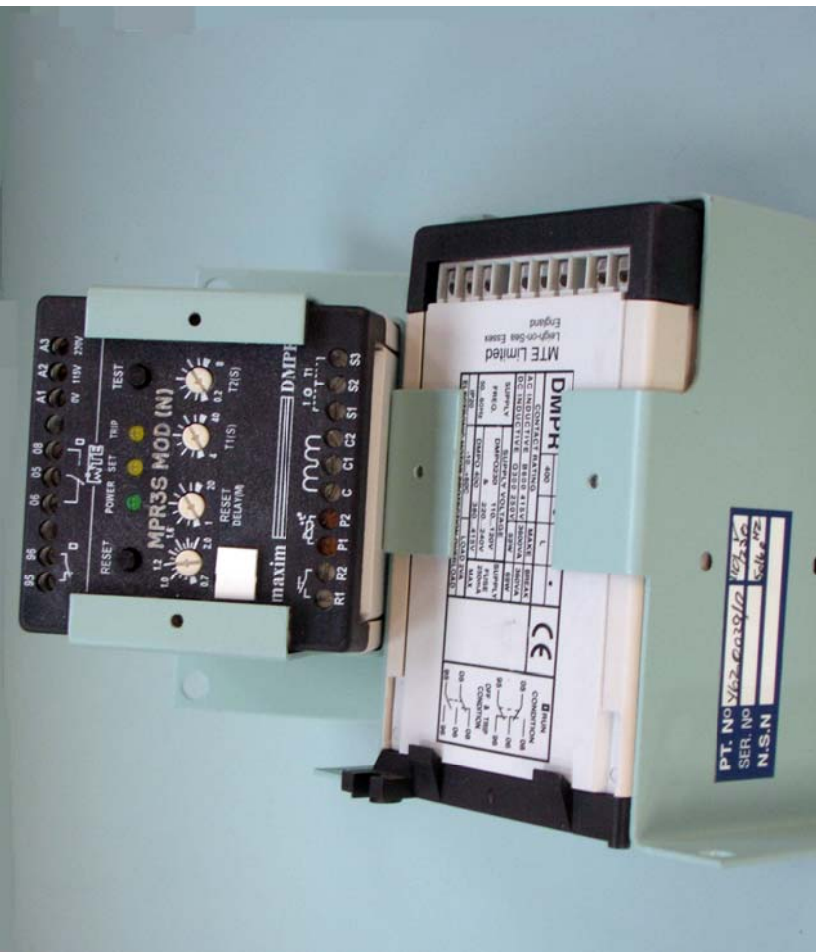


MPR3S MoD(N) Mk.2



The MPR3S, together with suitable current transformers, monitors motor supply current and protects the motor from overload, phase loss and phase imbalance.

Modified for use in naval applications, the unit is provided with shock jackets.

The MPR3S, together with suitable current transformers, monitors motor supply current. Three-phase motors generally require two CTs. An overload condition causes the unit to trip after a time delay inversely proportional to the overcurrent. The MPR3S uniquely provides independently adjustable time delays for starting and normal running. This allows an extended response time during starting, minimising nuisance trips, while maintaining a fast response during normal running. By setting the run delay at minimum (0,2s), shearpin type protection is achieved. Automatic transfer from the start delay to run delay occurs after a period of approximately twice the selected start delay. If necessary the start delay can be disabled to give conventional single delay operation.

Auto/manual reset facilities, with an adjustable reset delay, are provided. A pushbutton is fitted for local reset, with terminals for a remote reset contact.

Other MPR3S features include phase loss detection, motor temperature monitoring and a test button to confirm unit operation.

Technical Specification

Supply voltage: 115/240V or 440V, 50/60Hz

Load current range: Up to 400A using a single CT in each of two phases. See CT selection charts. The current range at the MPR3S input is 17.5 - 50mA.

Output relay: Ratings (N/C and N/O contacts)
Resistive load: 5A 115V

A.C. inductive load switching : 115V 50/60Hz
I_e = 5A max. Make:3600VA
Break:360VA

D.C. inductive load switching : 125V & 250V
I_e = 2.5mA Make: 69W Break: 69W

Ambient temperature range : - 10°C to + 80°C

Operations/hour : 60 max.

Indicators: Green- Power On.
Amber- Trip level exceeded/timing in progress
Amber- Output relay de-energised

Phase imbalance: Normal time-delayed tripping if any line current exceeds set trip level

Phase loss: Trip within 2s provided load current exceeds 50% of set trip level. Disabled by linking terminals S1 + S2 when used with soft starters or single-phase motors.

Start Delay T1: 4-40s at 600% FLC
Enabled by linking terminals S2 + S3

Run Delay T2: 0.2 - 8s at 600% FLC (See time/current graph)

Motor Temperature Trip when sensing element exceeds 2- 4KΩ, reset when resistance falls to 750Ω. Suitable for motor thermistors to BS4999 Part 111. Disabled by linking terminals P1 and P2.

Reset: Hand/Auto selection by terminal link. Button for local reset, terminals for remote reset, contact loading 2mA at 20V DC.
Reset delay (hand or auto) 1 – 20 Mins

Caution: If supply is removed for a period greater than 200ms the reset delay is terminated, and the MPR3S resets automatically when supply is restored.

Test: Test button simulates 600% FLC overload to check operation.

Terminal cable capacity: 1 x 2.5mm²

Ordering Information

Complete MPR3S MOD(N) Mk. 2 units :

Volts	Test Socket	Order Ref.	NSN
440	Yes	V430113	5945-99-562-8893
440	No	V430114	5945-99- 373-6468
115/240	Yes	V430115	5945-99- 983-1652
115/240	No	V430116	5945-99- 958-7110

Spare 440V Voltage Dropper Assembly (Only for use with MPR3S Mk.2)

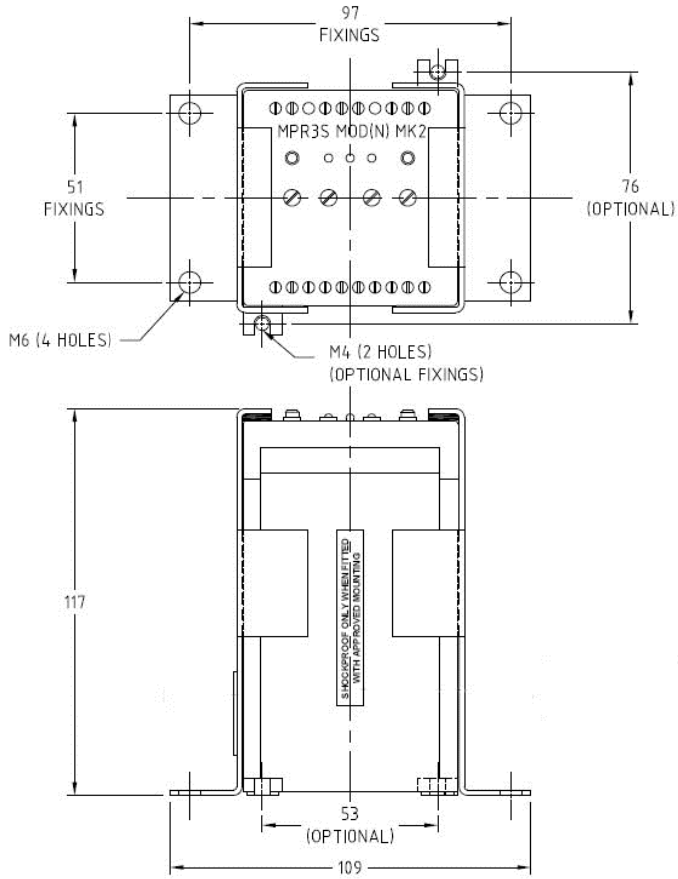
Order Code : V440069 NSN : *TBA*

Current Transformers

FLC (A)	Ordering Ref. / NSN	Primary Turns	CT Primary / Secondary
0.35 - 1	Z274003/AG 5950-99-178-1025	*	1A/25mA
0.7 - 2	Z274003/AG 5950-99-178-1025	*	1A/25mA
1.4 - 4	Z274003/AC 5950-99-850-4124	10	20A/25mA
1.75 - 5	Z274003/AC 5950-99-850-4124	8	20A/25mA
3.5 - 10	Z274003/AC 5950-99-850-4124	4	20A/25mA
7 - 20	Z274003/AC 5950-99-850-4124	2	20A/25mA
14 - 40	Z274003/AC 5950-99-850-4124	1	20A/25mA
17.5 - 50	Z274003/AD 5950-99-614-4482	2	50A/25mA
35 - 100	Z274003/AD 5950-99-614-4482	1	50A/25mA
70 - 200	Z274003/AE 5950-99-800-6251	1	100A/25mA
140 - 400	Z274003/AF	1	200A/25mA

* Tapped Primary 0.5/1A, Secondary 25mA

MPR3S Mk.2 Dimensions & Fixings



Established Reputation | High Performance Solutions | Unrivalled Capability | Commitment to Quality

